

THERMAQUA

by Vernet

THERMAQUA ACTUATORS

UNIQUE & ENERGY-SAVING



TECHNOLOGY & FEATURES

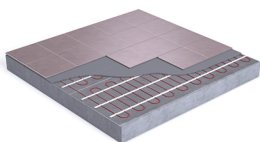
The **THERMAQUA® Actuators** are unique and reliable with many original & advantageous features:

- ✓ **Energy saving**
Low power consumption (< 1w)
- ✓ **Wide variety**
Normally Closed (NC) & Normally Opened (NO) versions available
- ✓ **Originality**
Includes a special Vernet® thermostatic element
- ✓ **Easy to assemble**
With the 'First-Open' function
- ✓ **Silent operation**
Feature of thermo-electric actuators
- ✓ **Operating position**
Visual indicator confirms position
- ✓ **Long service life**
Manufactured precision and quality control
- ✓ **Tailored design**
Valve adjustment to customer specifications
- ✓ **Variable voltage**
230/240V or 24V availability
- ✓ **Protection**
According to EN60529 (for both IP40 and IP44)

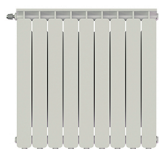
QUALITY &
CERTIFICATIONS

ISO 9001 : 2008
VDE READY

APPLICATIONS



Underfloor, Wall and Ceiling Heating
Cooling Systemms



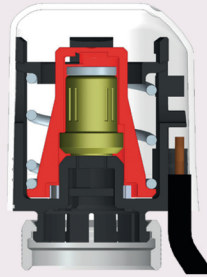
Radiators



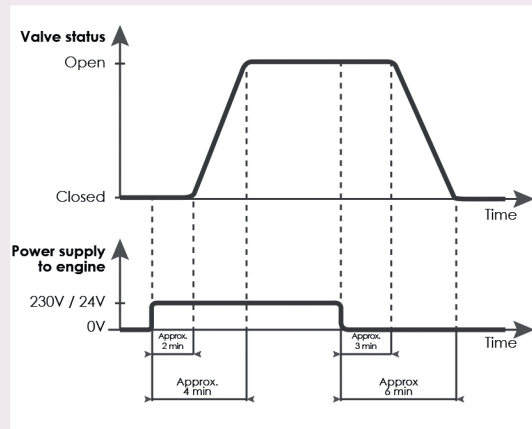
Valve Controls

PRINCIPLES OF OPERATION

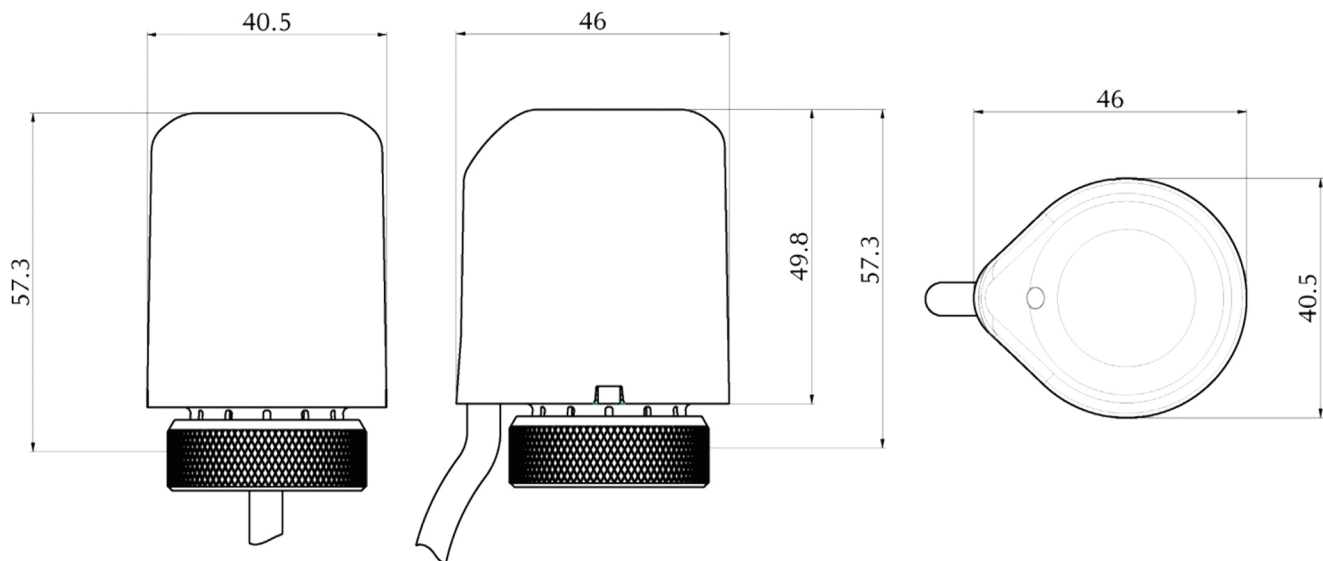
Designed for normally closed & normally opened control valves, THERMAQUA® actuators perform various control and regulation tasks as a two-step actuator (open/close). The wax element is heated electrically by the applied operating voltage and silently opens the valve.



Without any operating voltage the wax element is no longer heated and the actuator closes (see time-stroke diagram). THERMAQUA® actuators also allow for instant functionality checks of the device.



DIMENSIONS (in mm)



THERMAQUA
by Vernet

get in
TOUCH

