



# Vernet

## THERMOSTATIC CARTRIDGE

# VT28

### PREMIUM & BEST COMPROMISE



## VERNET TECHNOLOGY INSIDE

The **VT28** is a high performance thermostatic cartridge with the best compromise in size & flow rate :

- ✓ Used in mixing valves for temperature limitation
- ✓ Includes a special Vernet thermostatic element
- ✓ Withstand up to 35 bar (508psi) under static pressures
- ✓ Made from high quality polymer that resists lime scale
- ✓ Offers long life product reliability
- ✓ Patented design

## HEAVY DUTY CARTRIDGE

The **VT28** ensures a stable & accurate mixed outlet water temperature :

- ✓ Regulation range (15°C to 60°C - 59°F to 140°F)
- ✓ Preset at comfort temperature point: 38°C (100.4°F)
- ✓ Provides an accurate and easily adjusted temperature setting (34°C to 42°C - 93.2°F to 107.6°F)
- ✓ Tailored for temperature limitation at 50°C (122°F), disinfection at 70°C (158°F)

## APPLICATIONS

The **VT28** has been designed to fit in different applications

- ✓ Bath
- ✓ Shower
- ✓ Mixing valve



### QUALITY

Each cartridge is **individually checked** for stability, flow, operating torque, leakage and anti-scald function

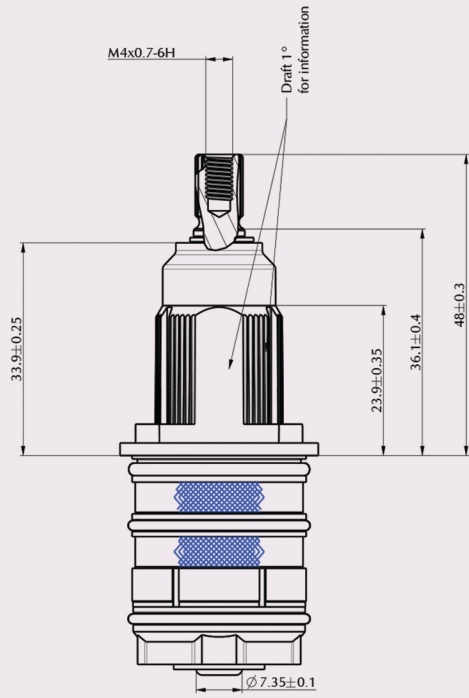
### CERTIFICATIONS

Solution for **international standards**

**Materials certified** for drinking water requirements

VT28 (in mm)

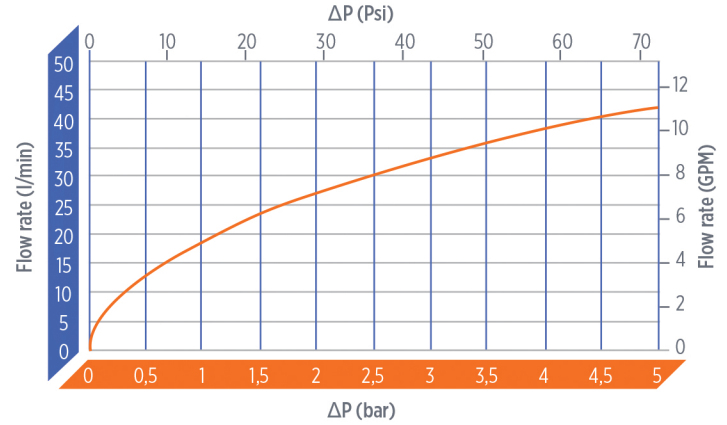
# DIMENSIONS



VT28

# SPECIFICATIONS

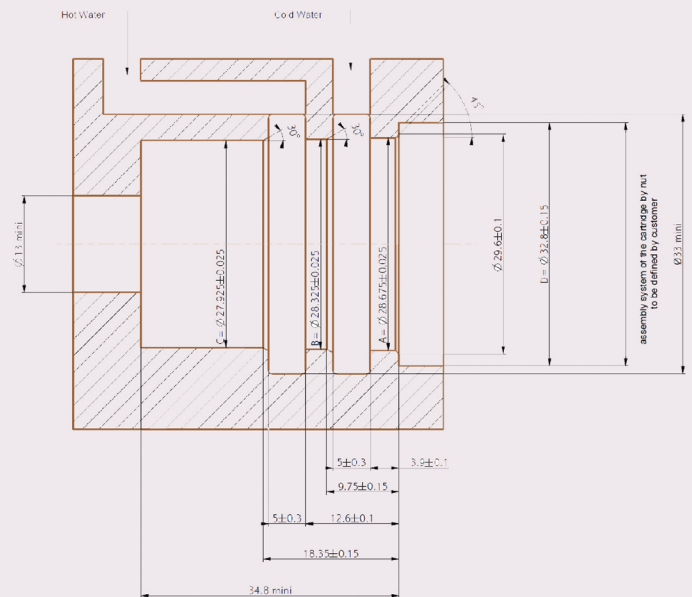
Application	Recommended Pressure	Flow Rate*	Standard*	Endurance*
Shower	3 bar	32 l/min	NF077	50 000 cycles
Bath			EN1111	50 000 cycles
			ASSE1016	80 000 cycles



# RECOMMENDATION

- ✓ **The** compliance of the mixing valve with the standards does not only depend on the cartridge but also on the construction of the valve and other devices.
- ✓ **Flow** rate value at ±15% in a Vernet valve body at mid-temperature, free outlet.
- ✓ **Endurance** validated in a Vernet valve body.

# VT28 HOUSING (in mm)



get in  
**TOUCH**

