

THERMOSTATIC
CARTRIDGE

VT23

MINI DESIGN MAXI PERFORMANCE

VERNET TECHNOLOGY INSIDE

The **VT23** thermostatic cartridge is the smallest in our range. It is a concentration of expertise that offers high regulation performances.

- ✓ Recommended for all slim sanitary faucets
- ✓ Used in mixing valves for temperature limitation
- ✓ Made from high-quality polymer that resists scale build-up
- ✓ Offers long life product efficiency

The **VT23** is the unique mini cartridge that is compatible with all the international standards

HEAVY DUTY CARTRIDGE

The **VT23** ensures a stable & accurate mixed outlet water temperature :

- ✓ Water flow shutdown upon cold water supply failure
- ✓ Tailored for disinfection at 70°C (158°F)

APPLICATIONS

- ✓ Shower
- ✓ Mixing valve



QUALITY

Each cartridge is **individually checked** for stability, flow, operating torque, leakage and anti-scald function

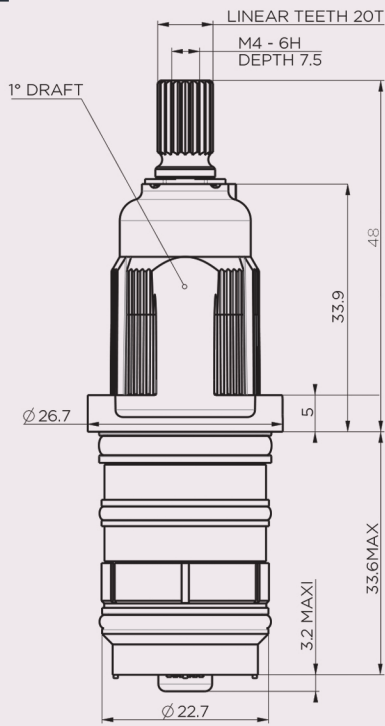
CERTIFICATIONS

Solution for international standards

Materials certified for drinking water requirements

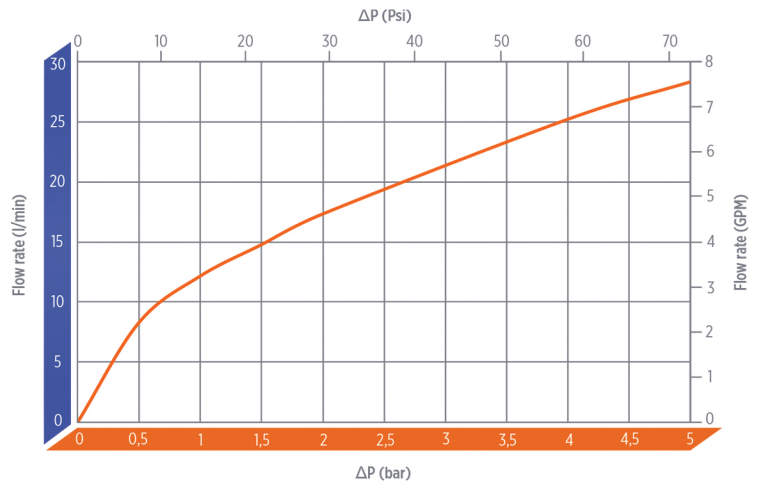
VT23 (in mm)

DIMENSIONS



VT23

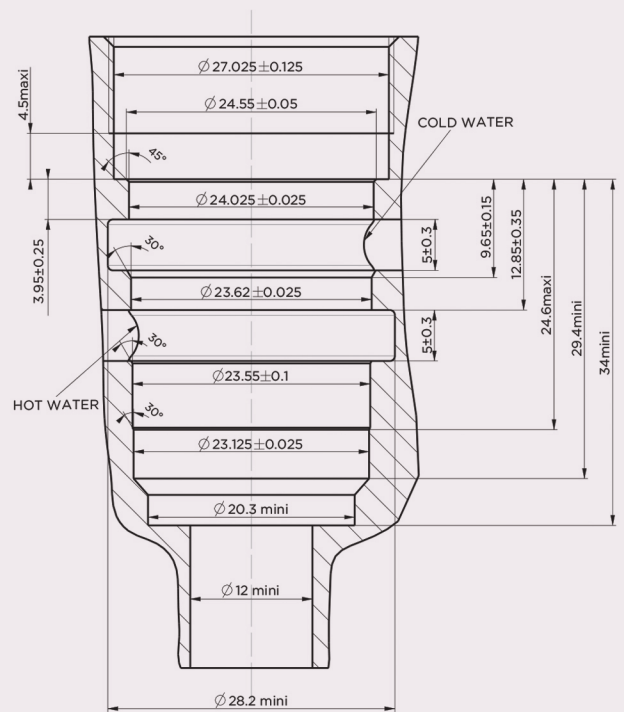
FLOW RATE



RECOMMENDATION

- ✓ **The** compliance of the mixing valve with the standards does not only depend on the cartridge but also on the construction of the valve and other devices.
- ✓ **Flow** rate measured in a Vernet valve body at mid-temperature, free outlet.
- ✓ **Endurance** validated in a Vernet valve body

VT23 HOUSING (in mm)



get in
TOUCH

