



Vernet

SEQUENTIAL CARTRIDGE THQ35SQ

NEW PROGRESSIVE CARTRIDGE



NEW SEQUENTIAL WITH SECURITY

When a mechanical sequential/progressive cartridge is combined with a Vernet thermostatic element, it creates THQ safety cartridges. With this new technology, being scalded is impossible.

✓ SAFETY

The Vernet Technology :

- limits hot water temperature
- ensures **antiscald security** in case of cold water failure

✓ INTERCHANGEABLE

- Directly replaces a mechanical sequential cartridge with distributor

✓ SAVINGS

- Temperature is obtained with minimum water and energy

✓ AVAILABLE IN Ø 35 MM



APPLICATIONS

- ✓ Sequential sink mixer
- ✓ Hygienic shower
- ✓ Bidet



QUALITY

Each cartridge is **individually checked** for stability, flow, operating torque, leakage and anti-scald function

CERTIFICATIONS

Solution for **international standards**

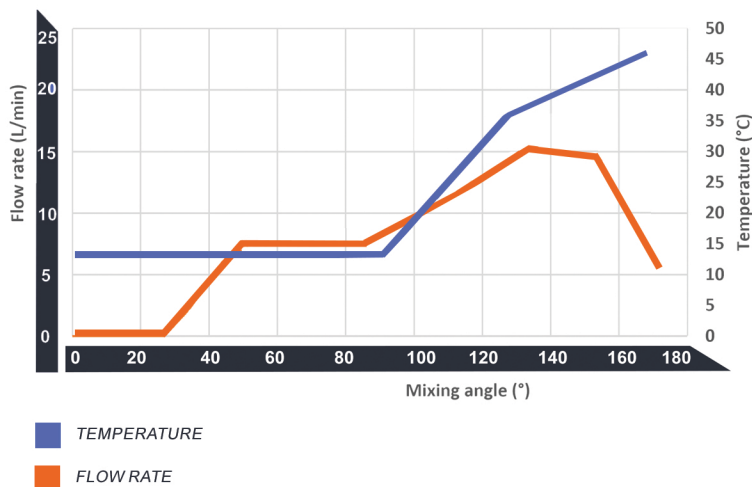
Materials certified for drinking water requirements

GENERAL CHARACTERISTICS

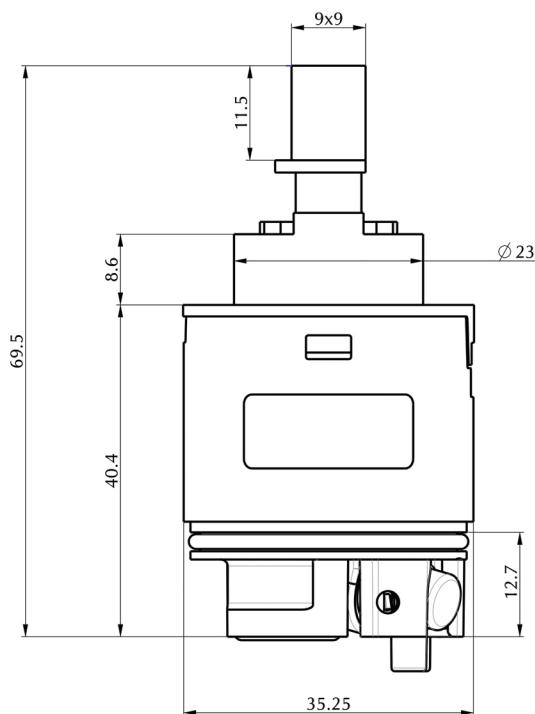
- ✓ **Safety temperature limitation :**
38°C (or according to your requirement)
- ✓ **Temperature limitation stability :** regardless of inlet hydraulic or temperature conditions
- ✓ **Watertightness :** according to **EN817**
- ✓ **High quality materials**
- ✓ **Mixing angle : 160°**

THQ35SQ FLOW RATE

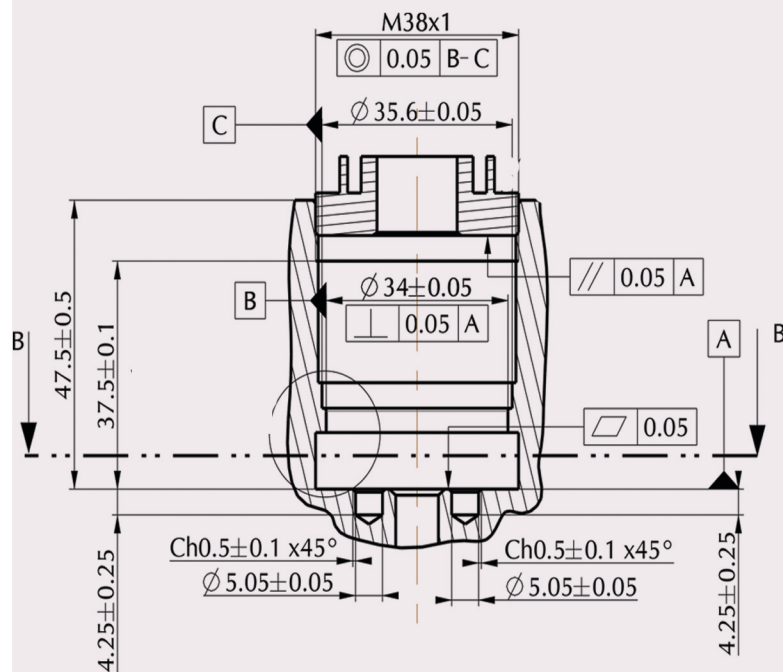
FLOW RATE VS TEMPERATURE



THQ35SQ (in mm) DIMENSIONS



THQ35SQ (in mm) HOUSING



get in
TOUCH



www.vernet-group.com