



Vernet

SAFETY CARTRIDGE THQ35/40

TEMPERATURE LIMITING



NEW SINGLE LEVER WITH SECURITY

When a mechanical Single Lever Cartridge is combined with a Vernet thermostatic element, it creates THQ safety cartridges. With this new technology, being scalded is impossible.

✓ SAFETY

The Vernet Technology :

- limits hot water temperature
- ensures **antiscald security** in case of cold water failure

✓ INTERCHANGEABLE

Directly replaces a mechanical single lever cartridge with distributor

✓ SAVINGS

Temperature is obtained with minimum water and energy

✓ EXTENDED RANGE

- available in Ø35mm or Ø40mm
- available in Single Lever or Sequential

QUALITY

Each cartridge is **individually checked** for stability, flow, operating torque, leakage and anti-scald function

CERTIFICATIONS

Solution for **international standards**

Materials certified for drinking water requirements



APPLICATIONS

- ✓ Shower
- ✓ Washbasin
- ✓ Kitchen sink
- ✓ Bidet

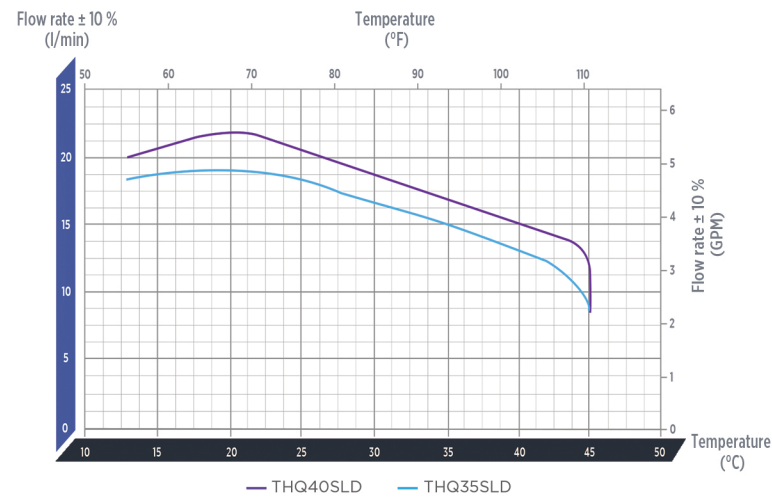


FLOW RATE

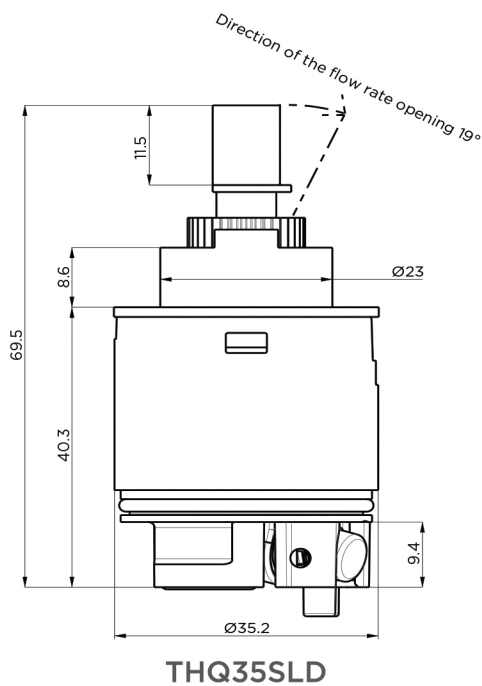
- ✓ **Safety temperature limitation** : 2 versions
38°C or 45°C (or according to your requirement)
- ✓ **Temperature limitation stability** : regardless of inlet hydraulic or temperature conditions
- ✓ **Watertightness** : according to **EN817**
- ✓ **High quality materials**
- ✓ **Mixing angle** : 108°

THQ35/40 FLOW RATE

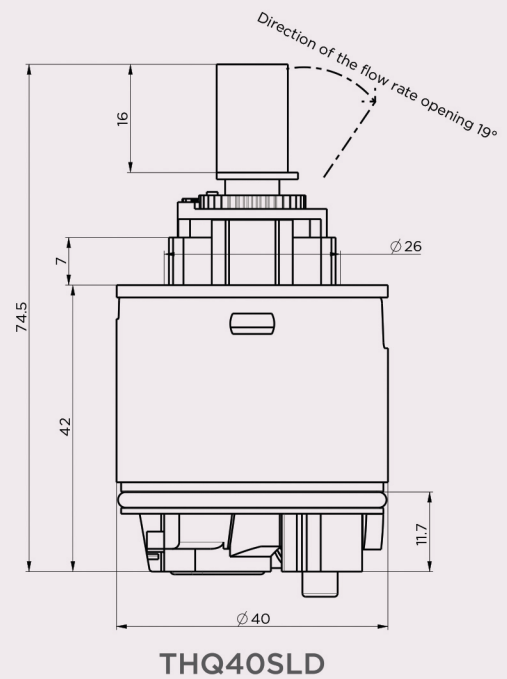
FLOW RATE VS TEMPERATURE



THQ35 (in mm) DIMENSIONS



THQ40 (in mm) DIMENSIONS



get in
TOUCH

